

**PO BOX 995,
ABU DHABI
UNITED ARAB EMIRATES**

**TEL: +971 2 6984999
FAX: +971 2 6659218
EMAIL: commercial@khalidfarajshipping.com
WEB: www.khalidfarajshipping.com**



AZAH

LANDING CRAFT

REGISTRATION	
Type	Landing Craft
Flag	U.A.E.
Class	BV
Built	2004
Official No.	4968
Call sign	A6E 2966
IMO No	9324356

DIMENSIONS	
Length Overall	47.00M
BEAM Moulded	11.00M
Depth Moulded	3.20M
Draft (Summer)	2.40M
Hull	Steel
GRT	456
NRT	137
DWT	500Tons

PERFORMANCE	
Speed	10 Knots (Free running)

PROPULSION – MACHINERY	
Main Engines	2 x Caterpillar 3408, 480BHP
Gear Boxes	MG516
Generator	2 x 91kW Cummins 6BT5.9D(M)
Propeller	Fixed Pitch Propulsion

CAPACITIES	
Fuel Oil	116m3
Fresh Water	34m3
Clear Deck Area	320m2
Deck Strength	7T/m2
Bow Ramp (L x W)	6.2m x 6.0m

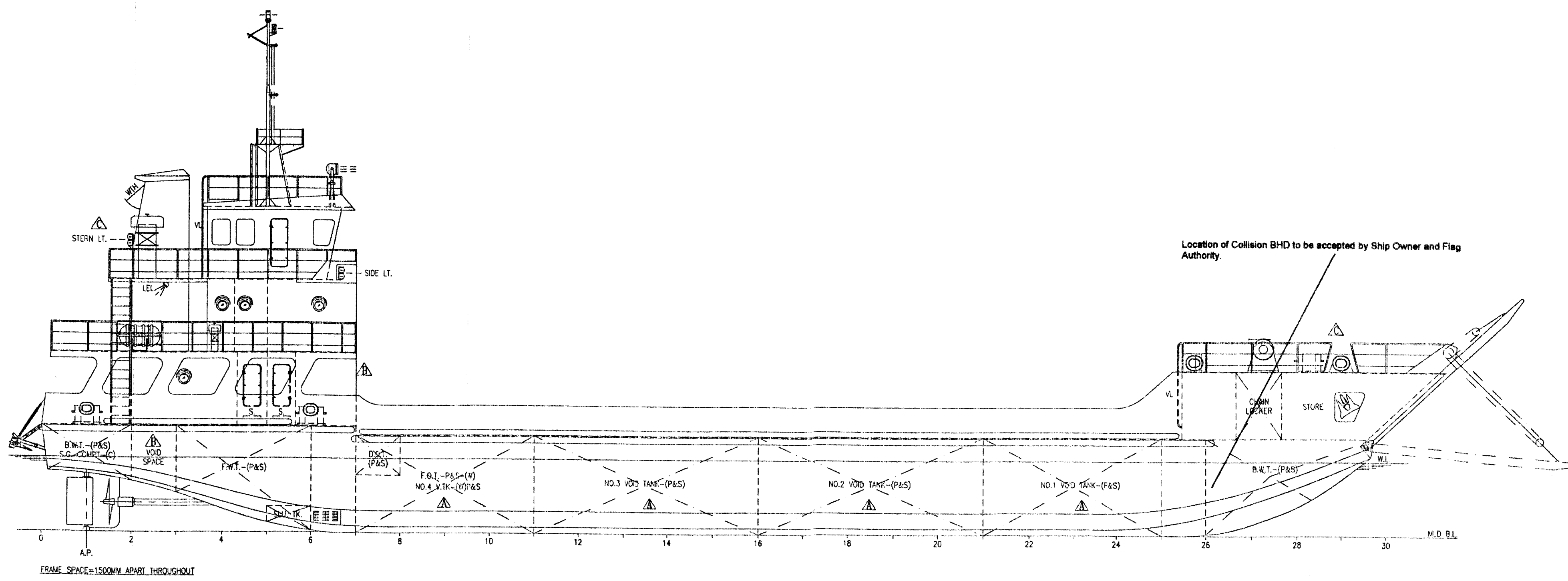
ACCOMODATION	
Centrally Air Conditioned	
Crew	5
Passenger	5

COMMUNICATION / NAVIGATION EQUIPMENT	
VHF	FURUNO FM8500
SSB	FURUNO FS-2570S
Radar	FURUNO RDP 119
GPS	FURUNO GP90
Echo Sounder	FURUNO FE-700
Magnetic Compass	AVAILABLE
NAVTEX	NX-500
AIS	FURUNO FA-100

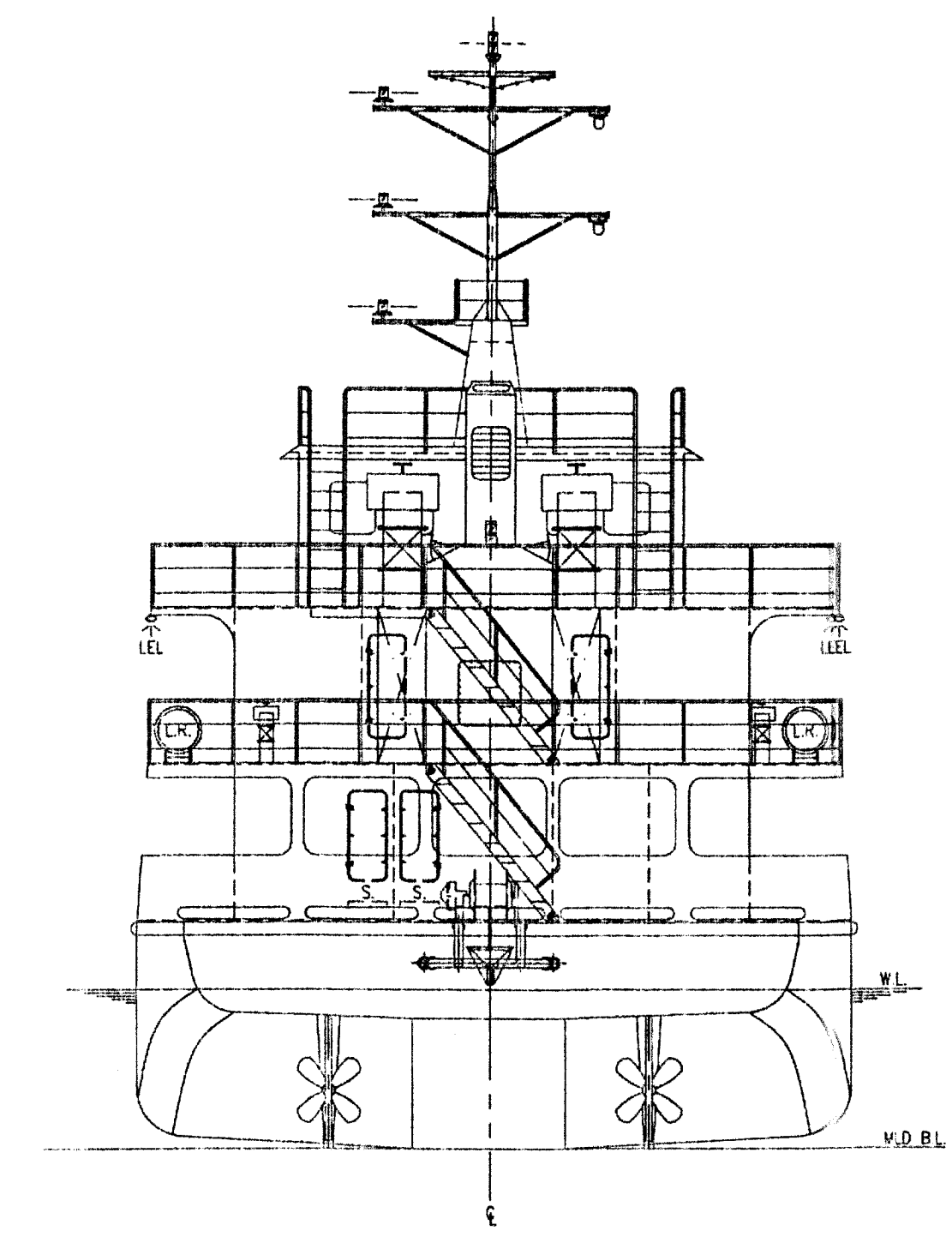
LIFE SAVING & FIRE FIGHTING	
Navigation & Search Light	
2 x 10 men Inflatable Life Raft	
Fire Fighting as per SOLAS	

* ALL DETAILS ABOUT

** ALL DETAILS ARE BELIEVED TO BE CORRECT, BUT WITHOUT GUARANTEE

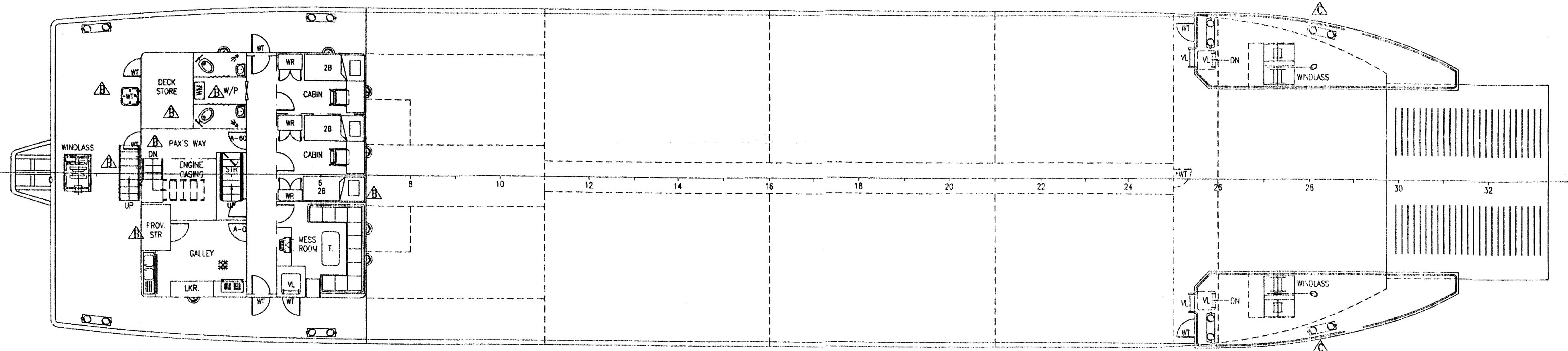


OUTBOARD PROFILE



STERN VIEW

Calculation of subdivision and stability in case flooding of space forward of Collision BHD to be submitted for review (see 2.1.4, Sec.1, Chap 2, Pt B, BV Rules 2000)

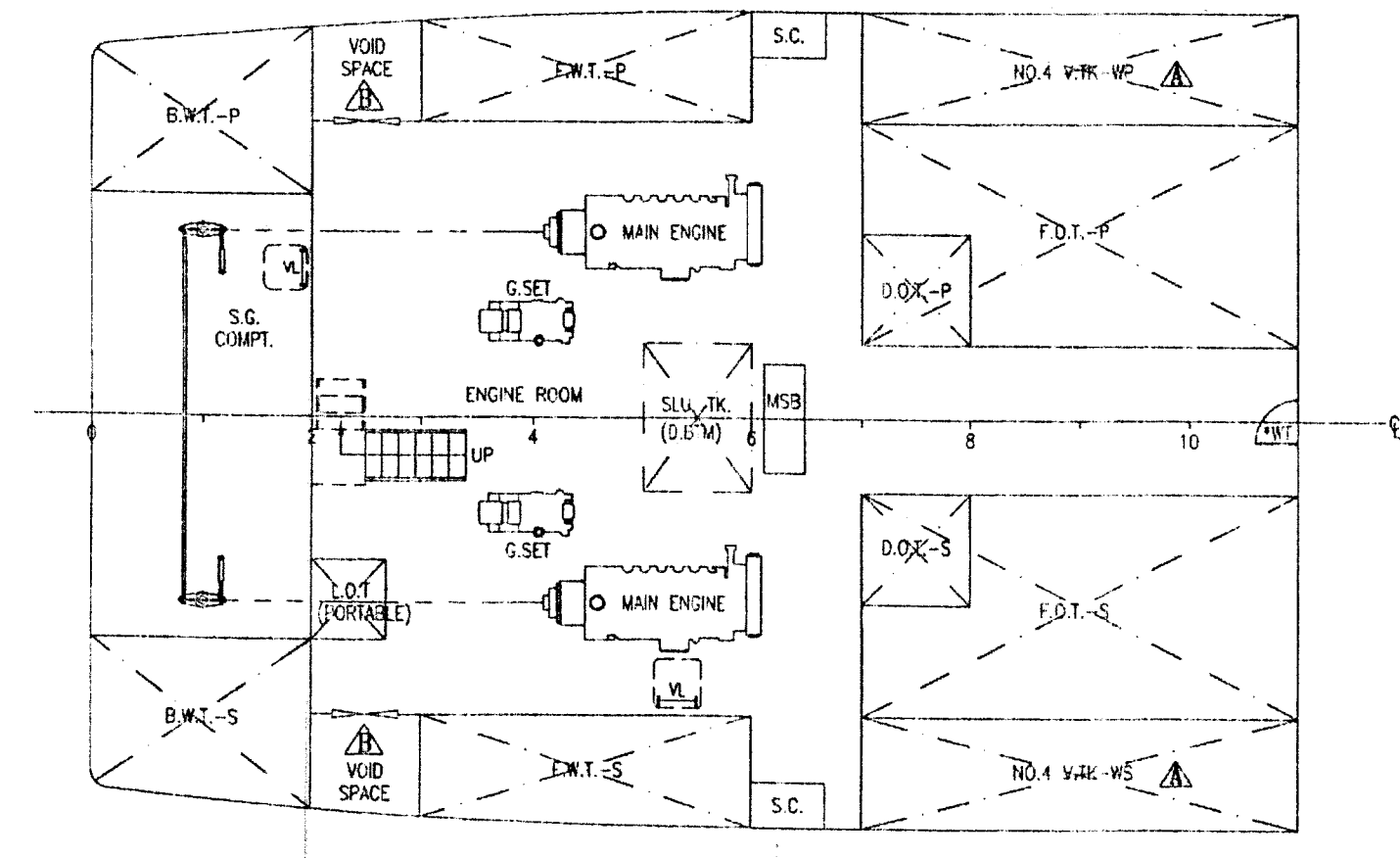


MAIN DECK PLAN

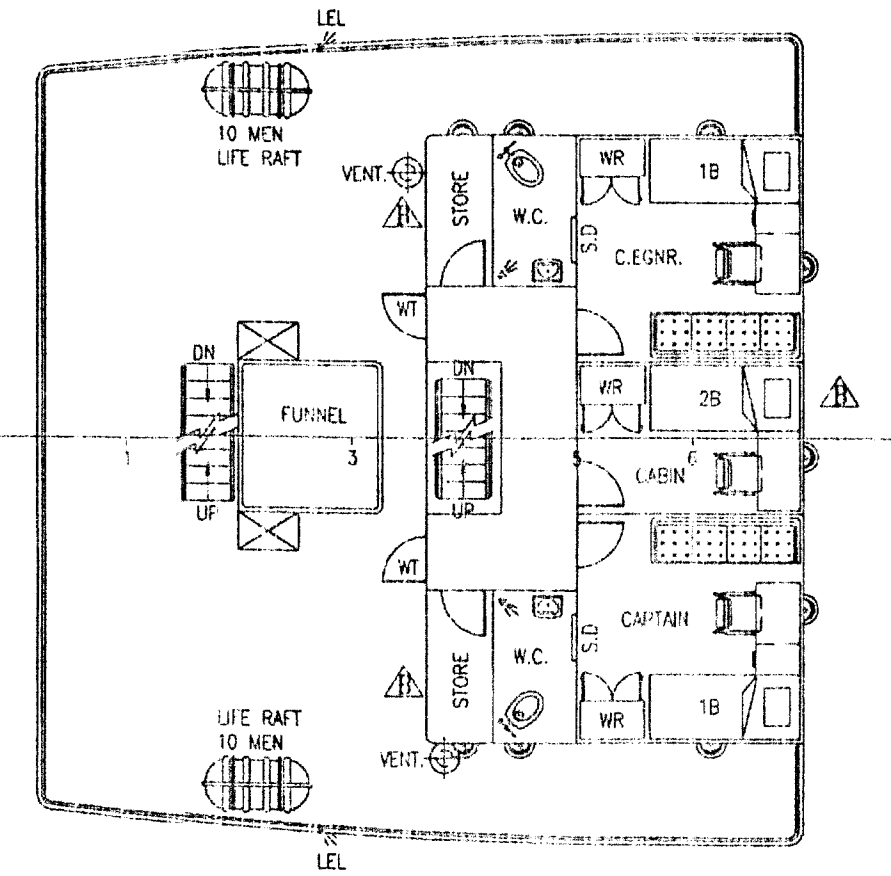
PRINCIPAL PARTICULAR

L.O.A.	47.000M (154.20FT)
L.B.P.	42.785M (140.37FT)
BREADTH MOULDED	11.000M (36.09FT)
DEPTH MOULDED	3.200M (10.50FT)
DESIGN DRAFT	2.438M (8.00FT)
SPEED	11 KNOTS
COMPLEMENT	10 MEN
MAIN ENGINE	CATERPILLAR 3403 TA 480BHP@1800RPM X 2 UNITS
GEAR BOX	RATIO 5.05 : 1
GENERATOR	80KW x 2 UNITS
NOTATION	INTERNATIONAL
FUEL OIL TANK	100 TONNES
FRESH WATER TANK	34 TONNES

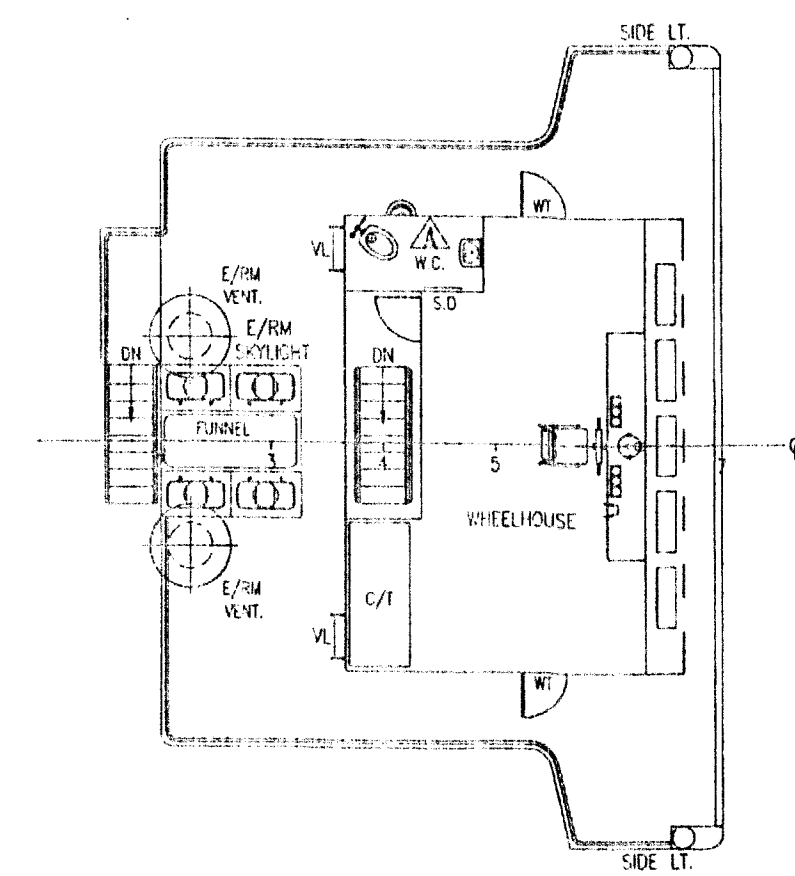
The vessel shall comply with the applicable Statutory Regulations.



BELOW M.D.K. PLAN



ROAT DECK PLAN



NAV. BRIDGE DECK PLAN

BUREAU VERITAS Coupe 04-101M
04-702N
VU avec observations
Singapour, le 24/06/04
Le Chef de Division

FOR APPROVAL

27.04.04	AS BUILT DRAWING	C.	WONG
19.01.04	AMENDED AS PER BUILDER'S REQUEST.	B.	WONG
16.09.03	AMENDED AS PER BUILDER'S REQUEST.	A.	TK WONG
DATE	MODIFICATION	REV	BY

SHIP	47M LANDING CRAFT		
TITLE	GENERAL ARRANGEMENT AZAH		
OWNER			
BUILDER			
CLASS	BV	YD NO. 188, 189	
DRAWN	CHECKED	APPROVED	SCALE
TK WONG			1 : 100
07.07.03			US/111-G1(C)

Adm / Sarina